

Receiver

 Society
 Reference
 Address
 Phone
 Fax
 E-mail

From

 White International Pty Ltd
 52-60 Ashford Avenue, Milperra, NSW, 2214
 -
 -
 pumpsales@whiteint.com.au

Item n° :

102662100

Model :

JET 132 M-P

Pump data

 Pressure rating : 6 bar (600 kPa)
 Min. fluid temperature : 0 °C
 Max. fluid temperature : 35 °C
 Max. Temperature operating : 40 °C

Priming capacity :

H	m	2	3	4	5	6	7	8	9
Q	m³/h	3.06	2.82	2.58	2.4	2.04	1.74	1.5	1.2

Requested data

 Flow : 0.00 m³/h
 Head : 0.00 m
 Fluid : Water, pure
 Fluid Temperature : 20 °C
 Density : 0.9983 kg/dm³
 Kinematic viscosity : 1.005 mm²/s
 Vapor pressure : 2.34 kPa

Hydraulic data (duty point)

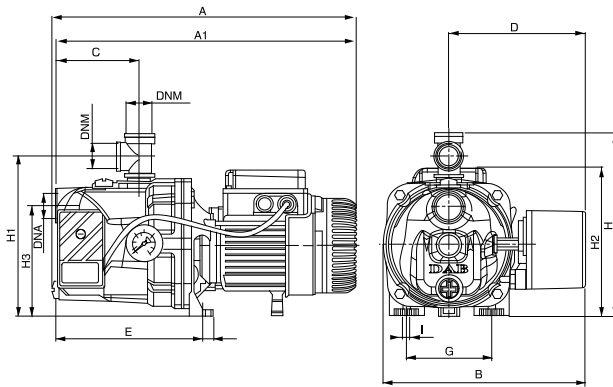
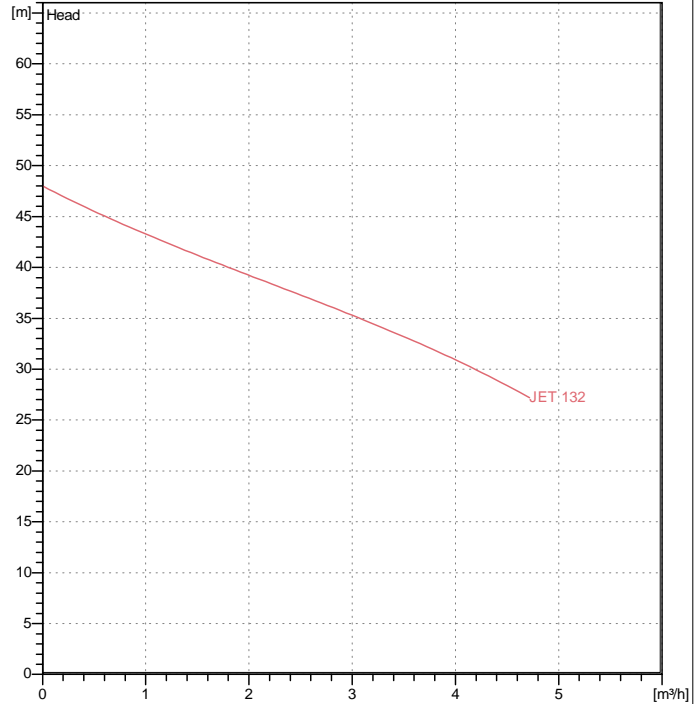
 Flow :
 Head :

Materials

 Pump body : Cast iron 200 UNI ISO 185
 Support : Die cast aluminium
 Impeller : Technopolymer A
 Mechanical seal : Carbon/Ceramic
 OR ring : NBR Rubber
 Shaft with rotor : AISI 416 X12 CrS 13 UNI 6900/71
 Diffuser : Technopolymer A

Motor data

 Motor brand : DAB
 Nominal power P2: 1 kW
 Rated speed: 2750 1/min
 Rated voltage : 1~ 220-240 V 50 Hz
 Nominal current : 6.6 A
 Degree of protection : IP 44

Curve tolerance according to ISO 9906

Dimensions in
mm

A	414	D	177	F	14	H2	203
A1	390	DNA	1" G	G	111	H3	144
B	263	DNM	1" G	H	239	I	9
C	108	E	192	H1	209	IØ	-

Weight : 14.9 kg

Pump connection

 Suction side : 1" G / 6 bar (600 kPa)
 Discharge side : 1" G / 6 bar (600 kPa)



PERFORMANCE CURVES

2014-06-05

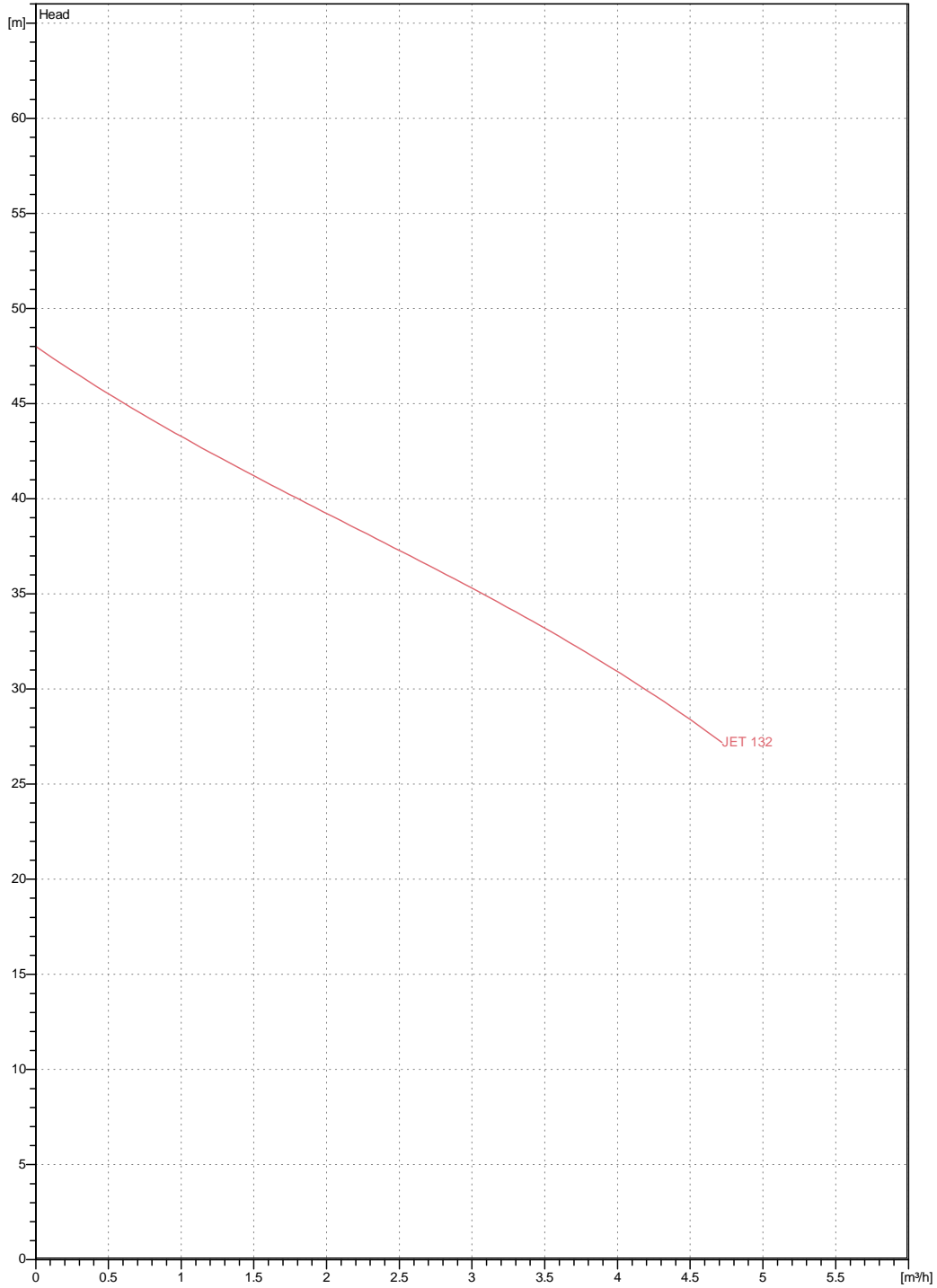
Page 2 / 3

DAB PUMPS S.p.A.
Via Marco Polo, 14 - 35035 Mestrino (PD), Italy
Tel. +39 049 5125000 - Fax +39 049 5125950
www.dabpumps.com

Society Reference Address Phone Fax E-mail	Receiver	From
		White International Pty Ltd . 52-60 Ashford Avenue, Milperra, NSW, 2214 - - pumpsales@whiteint.com.au

JET 132 M-P

Curve tolerance according to ISO 9906



Hydraulic data (duty point)

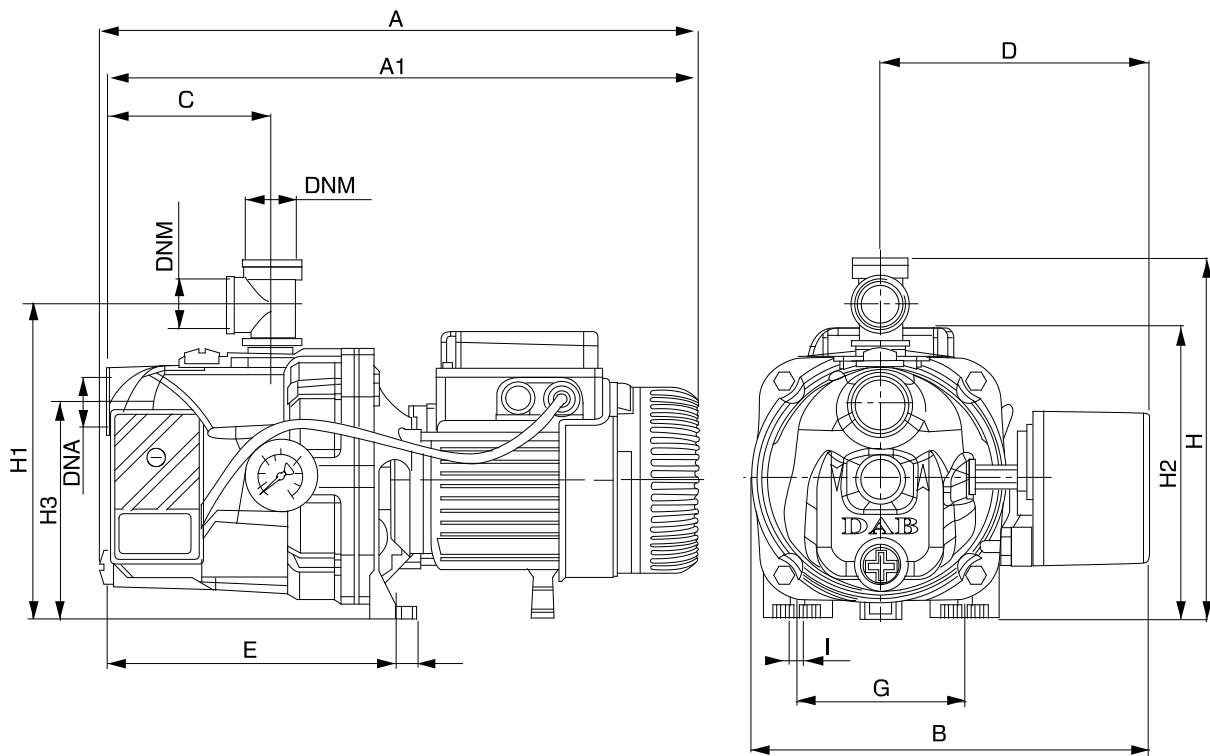
Suction side 1 " G 6 bar (600 kPa)	Discharge side 1 " G 6 bar (600 kPa)	Flow : 0 m³/h	Head : 0 m	Rated speed: 2750 1/min
Project	Project ID	Created by	Created on 2014-06-05	

Receiver
From

 Society
 Reference
 Address
 Phone
 Fax
 E-mail

 White International Pty Ltd
 .
 52-60 Ashford Avenue, Milperra, NSW, 2214
 .
 .
 pumpsales@whiteint.com.au

JET 132 M-P


Dimensions in mm

1	A	414	H	239		
2	A1	390	H1	209		
3	B	263	H2	203		
4	C	108	H3	144		
5	D	177	I	9		
6	DNA	1" G	I Ø	-		
7	DNM	1" G				
8	E	192				
9	F	14				
10	G	111				

Pump connection

 Suction
 1" G
 6 bar (600 kPa)

 Discharge
 1" G
 6 bar (600 kPa)

Project

Project ID

Created by

Created on

2014-06-05